



- UNIQUE DESIGN
- FRICTION PUSH FIT
- CAN BE FITTED INTO GLASS, PERSPEX, MIRRORS
- COMPLEMENTED BY A RANGE OF ACCESSORIES

**Hannon Fitout**

Littlegraique, Duncormick, Co Wexford

**Tel:** +353 51 561478 **Mob:** +353 87 2563472 / 087 229 0644 **Web:** [hannonfitout.ie](http://hannonfitout.ie)



Simple Design - Clever Engineering

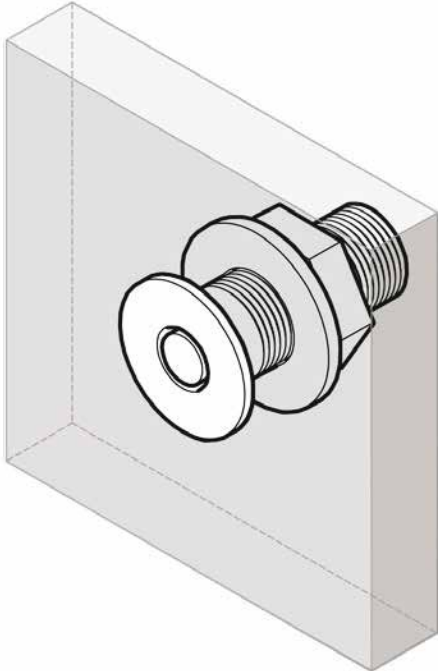


**Hannon Fitout**

Littlegraique, Duncormick, Co Wexford

**Tel:** +353 51 561478 **Mob:** +353 87 2563472 / 087 229 0644 **Web:** [hannonfitout.ie](http://hannonfitout.ie)

# Orbit Socket



OR10 30mm Diameter Ferrule Socket

The ferrule, brackets and hangrails are manufactured from solid mild steel, which can be finished in various plated finishes.

Solid MDF, toughened, or tinted glass shelves.

Ferrules can be fixed into panels at a recommended 600mm centres.

Recommended maximum loading capacity

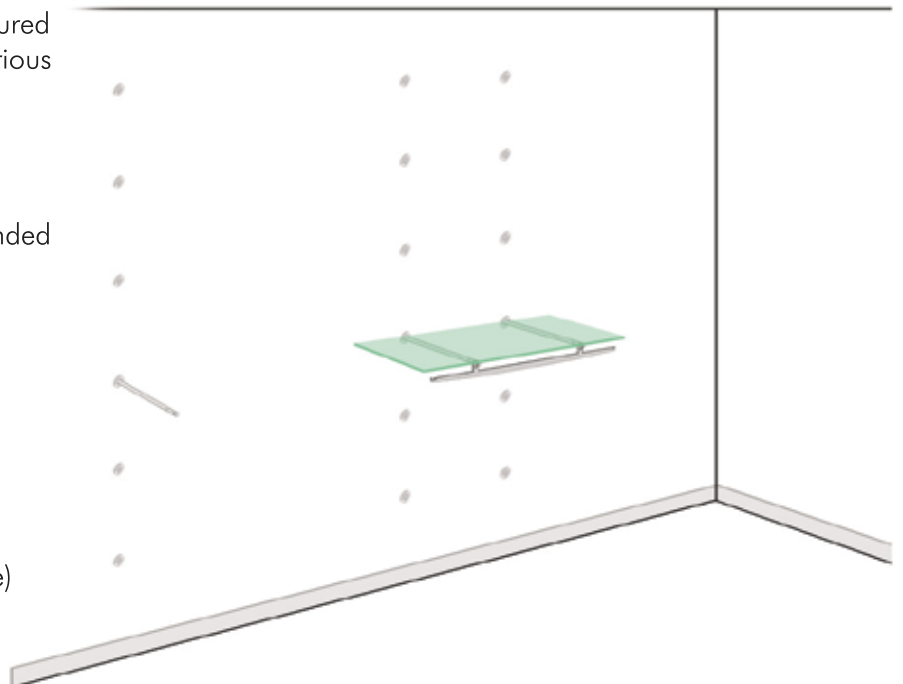
Single Frontal Arm = 25kgs

Single Rail = 30kgs

Single Shelf = 30kgs

Rail/Shelf Combo = 35kgs

(Without exceeding the individual ratings above)

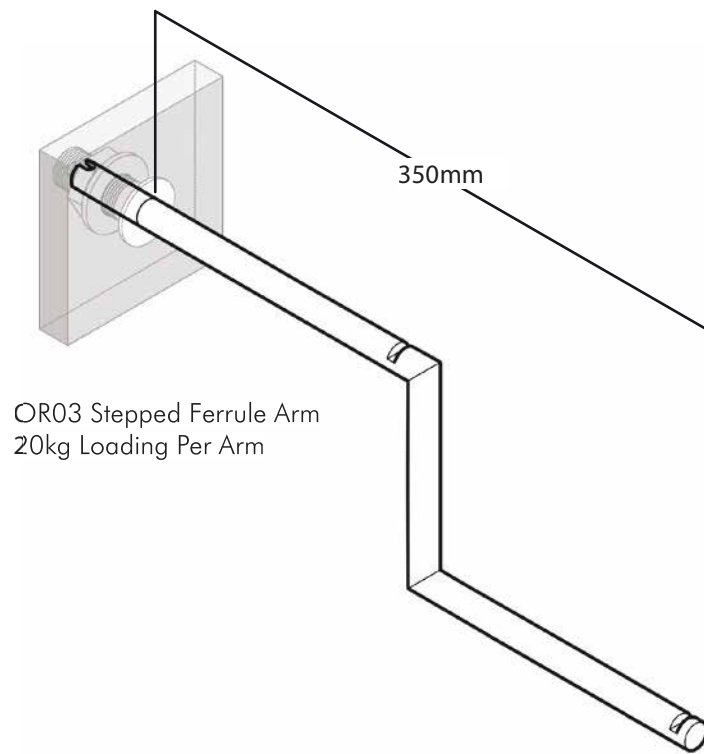


**Hannon Fitout**

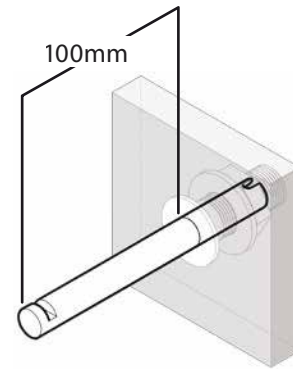
**Littlegraique, Duncormick, Co Wexford**

**Tel: +353 51 561478 Mob: +353 87 2563472 / 087 229 0644 Web: [hannonfitout.ie](http://hannonfitout.ie)**

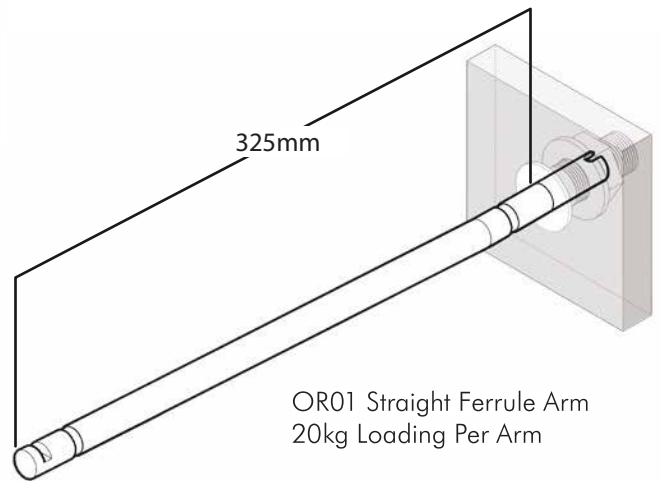
# Orbit Arms



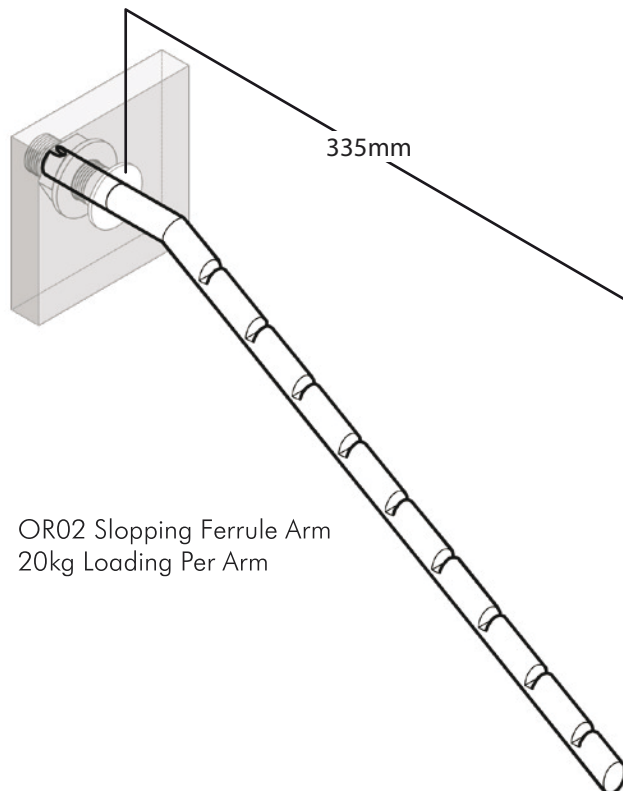
OR03 Stepped Ferrule Arm  
20kg Loading Per Arm



OR04 Stub Ferrule Arm  
20kg Loading Per Arm



OR01 Straight Ferrule Arm  
20kg Loading Per Arm



OR02 Sloping Ferrule Arm  
20kg Loading Per Arm



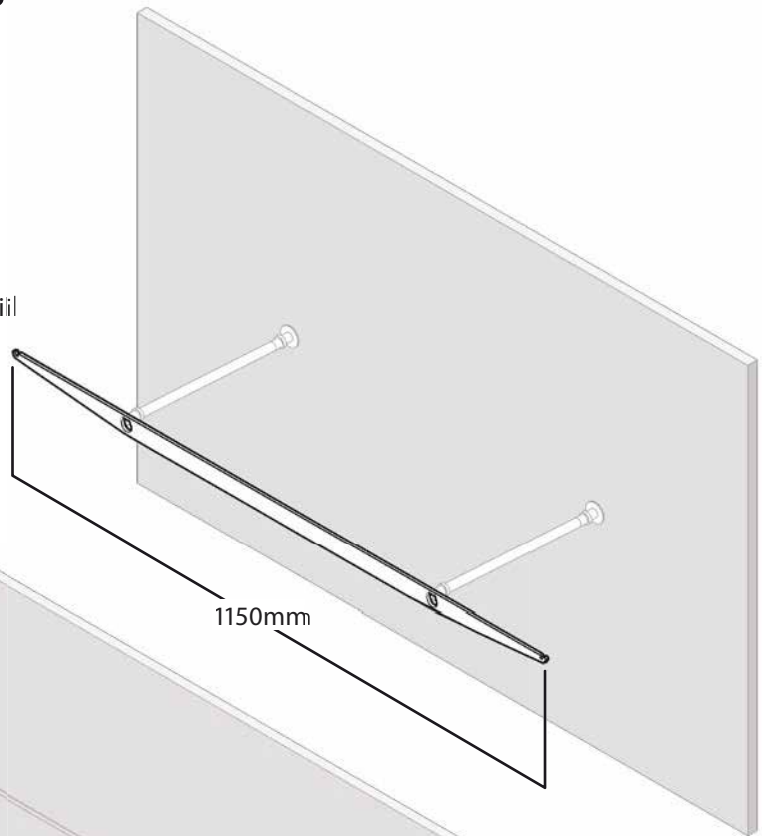
**Hannon Fitout**

Littlegraique, Duncormick, Co Wexford

**Tel:** +353 51 561478 **Mob:** +353 87 2563472 / 087 229 0644 **Web:** [hannonfitout.ie](http://hannonfitout.ie)

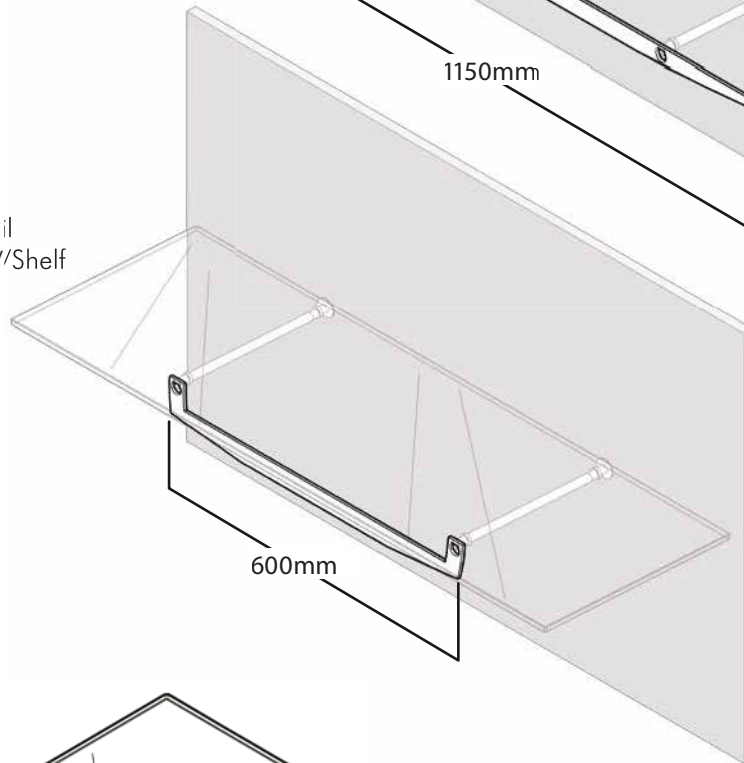
# Orbit Hangrails & Shelves

BL10 Hangrail  
30kg Loading Per Rail

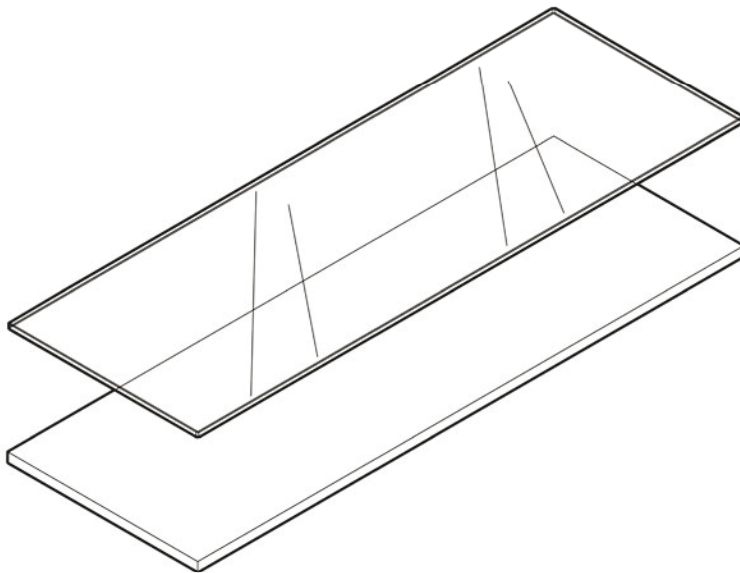


1150mm

BL12 Combi - Hangrail  
35kg Loading Per Rail//Shelf



600mm



L600 Glass Shelf (1150mm x 400mm x 10mm)  
30kgs Loading Per Self

L610 Laminated MDF Shelf (1150mm x 400mm x 19mm)  
30kgs Loading Per Self

Note:  
Individual loading capacity shown for shelving component:  
should be considered in conjunction with those of the  
Sockets & Arms that support them

Please contact our sales team for further guidance.

**Hannon Fitout**

**Littlegraique, Duncormick, Co Wexford**

**Tel: +353 51 561478 Mob: +353 87 2563472 / 087 229 0644 Web: [hannonfitout.ie](http://hannonfitout.ie)**